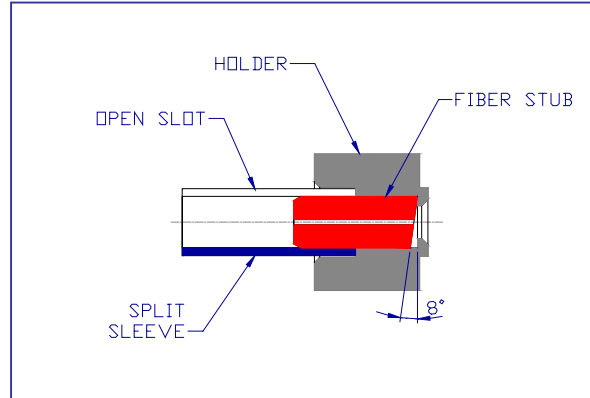
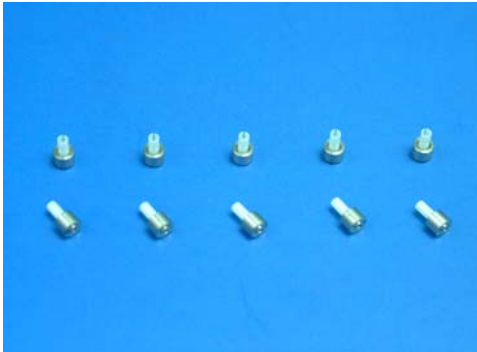
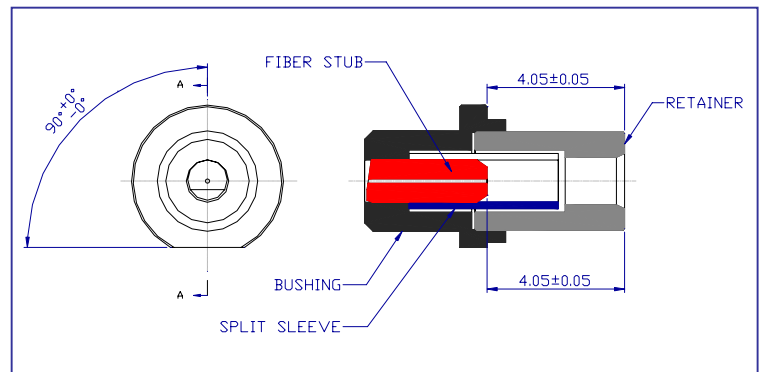




● **LOSA LC Receptacle**



● **TOSA LC Receptacle**



● **Technical Specification**

LOSA & TOSA Receptacle	
Stub Concentricity:	$\leq 0.7\mu\text{m}$
Insertion Loss	$\leq 0.2\text{dB}$
Return Loss	$\geq 30\text{dB}$
Sleeve Holder	SS 304 L
Bushing	SS 304 L
Retainer	SS 304 or 303
Excellent Stability, Reliability, Repeatability, and Exchangeability	
Storage Temperature Range: $-40^{\circ}\text{C} \sim 85^{\circ}\text{C}$	
Available Both for LC and SC Receptacles	
Customizable structure design	