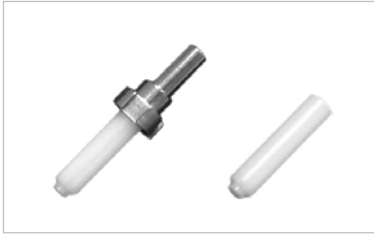


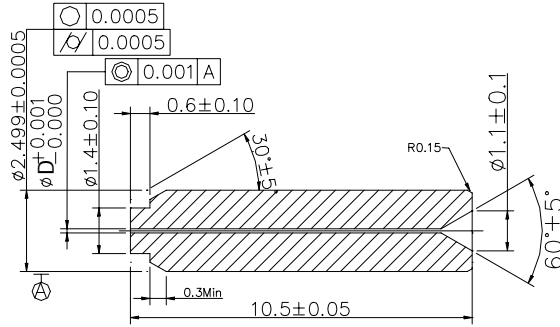


TS-SC/APC/Step-04



Single Mode APC Step Ferrule

Part No.:	TS – SC/APC/Step - 04		
Outside Diameter	$\Phi 2.499 \pm 0.0005$		
Concentricity	≤ 0.001		
Inner Diameter	$\Phi 0.125^{+0.001}_{-0}$	$\Phi 0.1253^{+0.001}_{-0}$	$\Phi 0.126^{+0.001}_{-0}$
Ferrule Length	10.5 ± 0.05		
End Curve Radius	20^{+5}_{-10}		

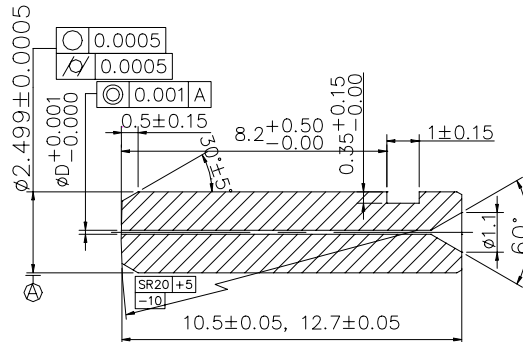


TS-SC/SM/Slot - 05



Single Mode Slot Ferrule

Part No.:	TS – SC/SM/Slot - 05		
Outside Diameter	$\Phi 2.499 \pm 0.0005$		
Concentricity	≤ 0.001		
Inner Diameter	$\Phi 0.125^{+0.001}_{-0}$	$\Phi 0.1253^{+0.001}_{-0}$	$\Phi 0.126^{+0.001}_{-0}$
Ferrule Length	$10.5 \pm 0.05, 12.7 \pm 0.05$		
End Curve Radius	20^{+5}_{-10}		



TS-SC/MM/Slot - 06



Multi mode Slot Ferrule

Part No.:	TS – SC/MM/Slot -06		
Outside Diameter	$\Phi 2.499 \pm 0.001$		
Concentricity	≤ 0.004		
Inner Diameter	$\Phi 0.126^{+0.004}_{-0}$	$\Phi 0.127^{+0.004}_{-0}$	
Ferrule Length	$10.5 \pm 0.05, 12.7 \pm 0.05$		
End Curve Radius	20^{+5}_{-10}		

