

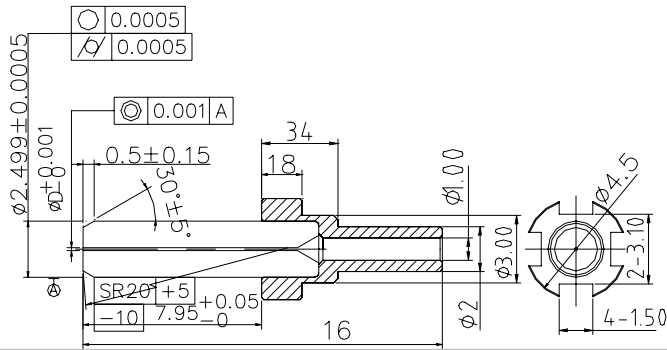


TS-SC/SM/PC-01



Pre-dome Endface Single Mode Ferrule

Part No.:	TS – SC/SM/PC-01		
Outside Diameter	$\Phi 2.499 \pm 0.0005$		
Concentricity	≤ 0.001		
Inner Diameter	$\Phi 0.125^{+0.001}_{-0}$	$\Phi 0.1253^{+0.001}_{-0}$	$\Phi 0.126^{+0.001}_{-0}$
Ferrule Length	10.5 ± 0.05		
End Curve Radius	20^{+5}_{-10}		

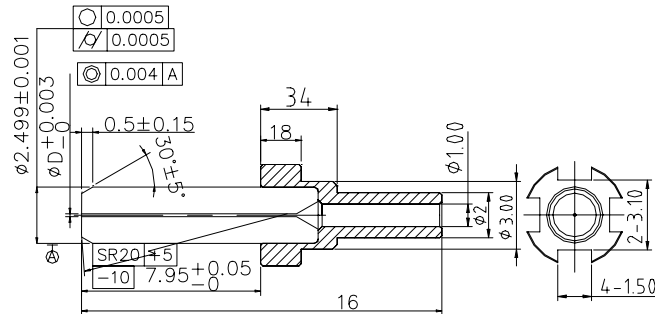


TS-SC/MM/PC-02



Pre-dome Endface Multi Mode Ferrule

Part No.:	TS – SC/MM/PC-02	
Outside Diameter	$\Phi 2.499 \pm 0.001$	
Concentricity	≤ 0.004	
Inner Diameter	$\Phi 0.126^{+0.004}_{-0}$	$\Phi 0.127^{+0.004}_{-0}$
Ferrule Length	10.5 ± 0.05	
End Curve Radius	20^{+5}_{-10}	



TS-SC/SM/APC-03



Cone Single Mode Ferrule

Part No.:	TS – SC/SM/APC-03		
Outside Diameter	$\Phi 2.499 \pm 0.0005$		
Concentricity	≤ 0.0007		
Inner Diameter	$\Phi 0.125^{+0.001}_{-0}$	$\Phi 0.1253^{+0.001}_{-0}$	$\Phi 0.126^{+0.001}_{-0}$
Ferrule Length	10.5 ± 0.05		

